

DC Motor TW-558SP Series

OUTPUT POWER: 3.0 - 65W (APPROX)



Features:

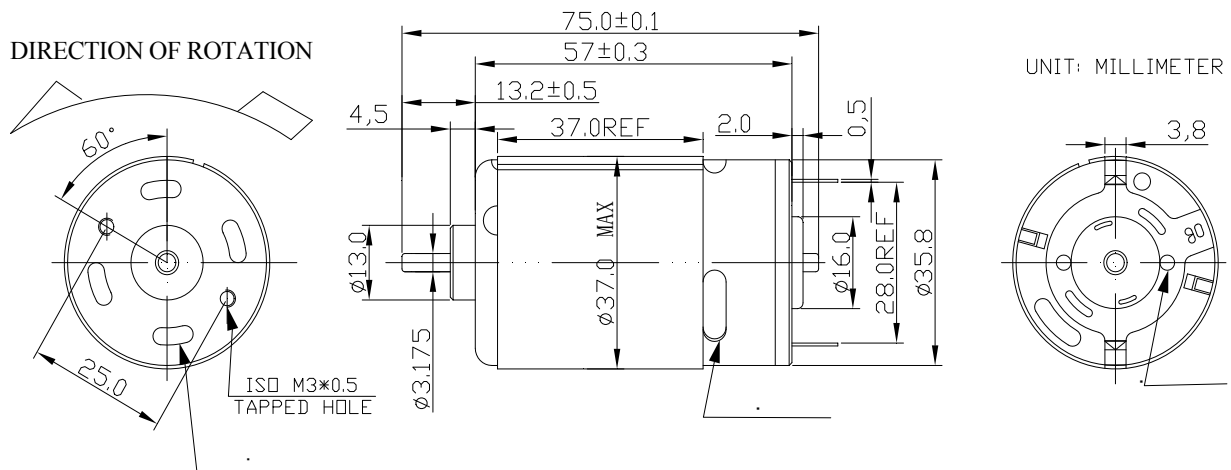
* High Voltage DC Carbon-Brush Motor.

Weight:

215g (APPROX)

Typical Application:

1. Precision Instruments: Automatic Vending Machines
2. Household Appliances: Mini Chopper / Vacuum Cleaner



ELECTRICAL SPECIFICATION CHART: (The specifications can be changed as customers' requirement)

Model	Voltage		At No Load		At Max Efficiency					Stall
	Workable Range		RPM	Speed A	Current RRPM	Speed A	Current G.CM	Torque W	Output %	Torque G.CM
TW-558SP-0938	100~240	230V Constant	1279	0.03	10770	0.17	260	30.9	77.2	1765
TW-558SP-1017	100~240	230V Constant	1457	0.04	12240	0.23	317	39.8	74.6	1980
TW-558SP-1219	100~240	120V Constant	1288	0.05	10740	0.32	280	30.6	79.4	1668

CHARACTERISTIC CURVES:

