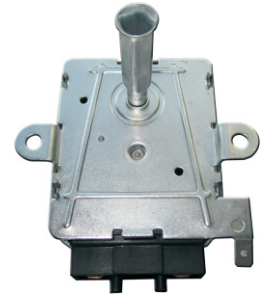


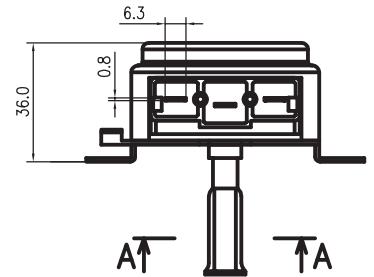
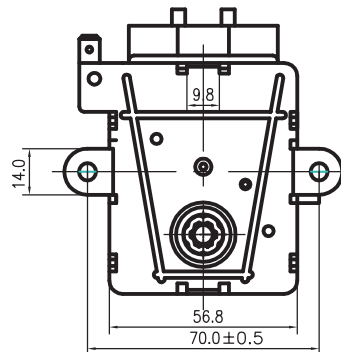
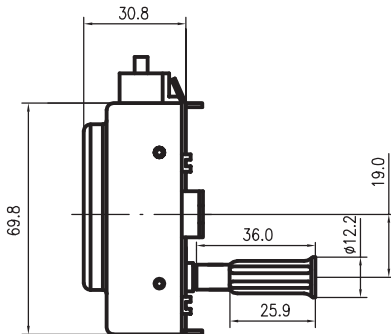
# TW-70A

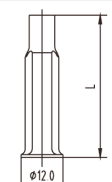



## Applications

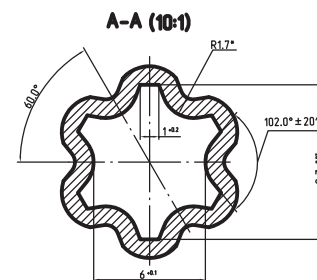
烤箱Oven/Grill  
家用电器 Household appliances



## Outline



Spit style	L	Applicable shaft
	H TYPE 25.5mm 35.5mm 40.5mm	
	S TYPE 30.5mm 35.5mm 40.5mm	
	T TYPE 25.5mm 35.5mm 40.5mm	



## Model

### Motor Specifications

Rated voltage	V	110	220	230
Power frequency	Hz	50/60		
Input power	W	5	≤5	6
Input current	A	0.059	0.03	0.033
Rotation		CW,CCW(Free)		
Operation temperature	°C	-15 To 125		
Temperature rise	K	≤45		
Insulation rise		E		
Insulation		AC1500V 50Hz/min		

### Output speed & Torque

50Hz	Output speed	r/min	1.5	2.3	2.5
	Output torque	kg.cm	16	12	11

## Customized Versions

1. Working voltages and frequencies can be made as per user's requirements.
2. Colour and length of wire can be made according to the requirements.
3. The output shaft can be made according to the customers need.

