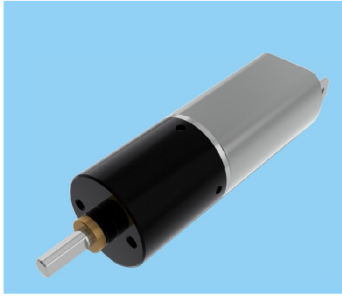


TW-P16RPO50



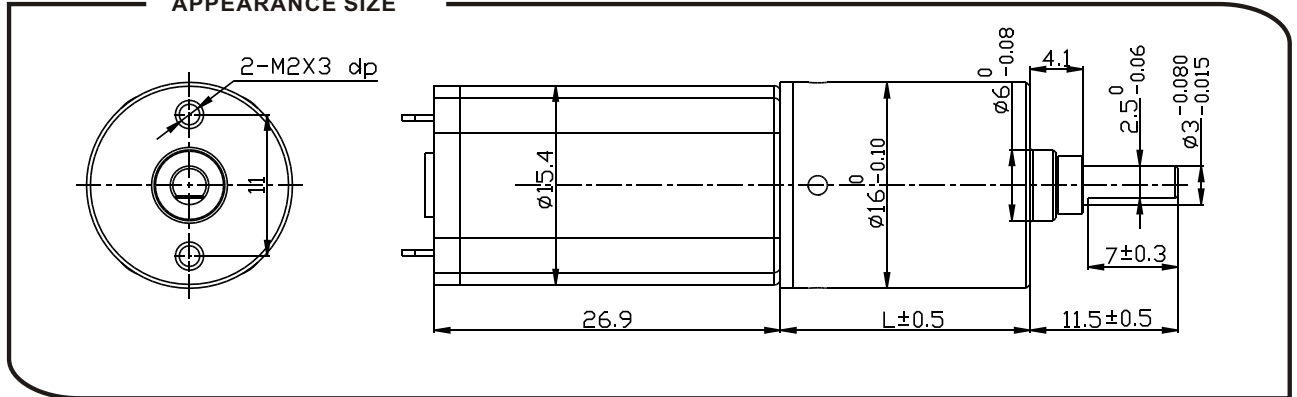
Main voltage: 3VDC、6VDC、9VDC、12VDC、24VDC、

Typical applications: Optical equipment, Monitoring cameras, Kind of finger-electronic locks, Automatic energy saving bath, Water IC card, Toys and gifts, Office equipment, Household appliances, Automatic actuator.

Weight: 60~80g/pcs (approx)

Packing details: Packing details: CTN size: 37X27.5XH21cm 200pcs/CTN G.W. 14Kgs

APPEARANCE SIZE



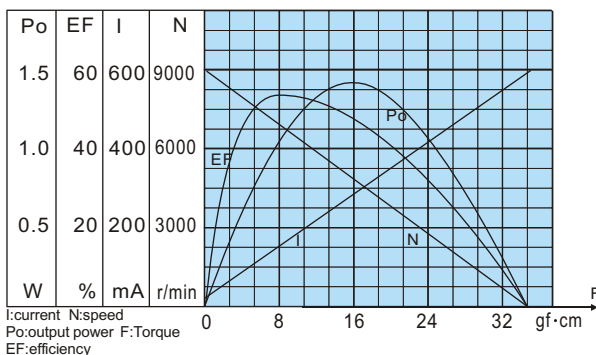
Gear Motor Torque/Speed

Reduction ratio	1/4	1/4.75	1/16	1/19	1/22.5	1/64	1/76	1/90	1/107	1/256	1/304	1/361	1/428	1/509	1/1024	1/1216	1/1444	1/1714	1/2036	1/2418
6V	Rated torque (gf.cm)	27	32	97	115	137	350	416	493	586	1250	1480	1760	2080	2480	4000	4000	4000	4000	4000
	Rated speed (r/min)	1625	1369	407	343	289	102	85	72	61	25	21	18	15.2	12.8	6.3	5.4	4.5	3.8	3.2
9V	Rated torque (gf.cm)	25	30	90	108	127	326	388	460	545	1150	1380	1640	1950	2310	4000	4000	4000	4000	4000
	Rated speed (r/min)	1625	1369	407	343	289	102	85	72	61	25	21	18	15.2	12.8	6.3	5.4	4.5	3.8	3.2
Gearbox "L" mm	15.8		15.8			19.4				23				26.6						

Motor Data

额定电压 Rated volt (V)	额定扭力 Rated torque (g·cm)	额定转速 Rated speed (rpm)	额定电流 Rated current (mA)	空载转速 No load speed (rpm)	空载电流 No load current (mA)	额定功率 Rated output (w)	重量 Weight (g)
6	7.5	6500	≤160	8000	≤65	0.488	18
9	7.0	6500	≤110	8000	≤50	0.455	18

RF-050-6V-8000r/min Characteristics



RF-050-9V-8000r/min Characteristics

