

DC Motor TW-775SPF Series

OUTPUT POWER: 40 – 200W (APPROX)



Features:

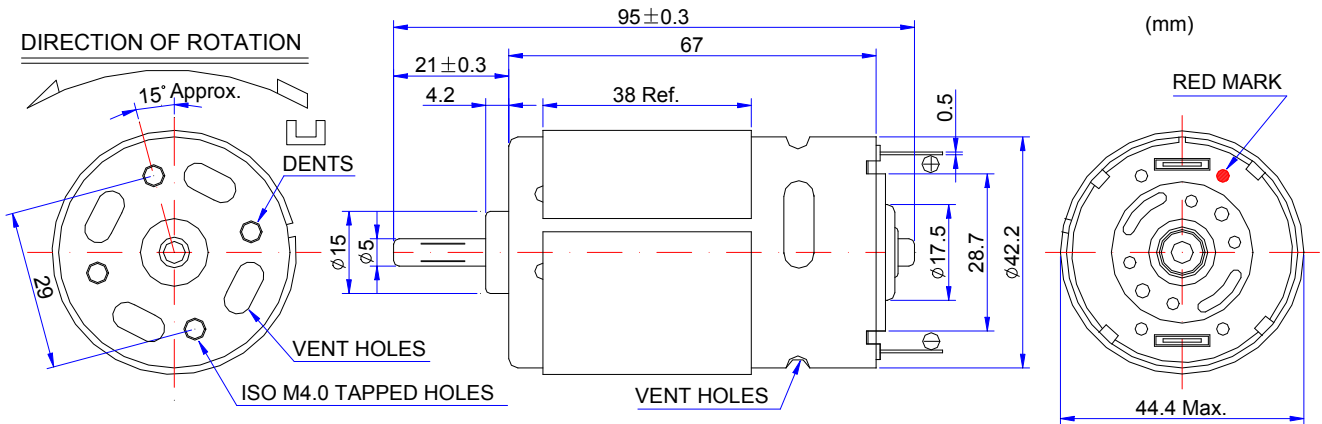
* Carbon Brush Motor. * AC power source.

Weight:

350g (APPROX)

Typical Application:

1. Grills & Screw Drivers, etc.
2. Hand Mixer, Typewriter, etc.



ELECTRICAL SPECIFICATION CHART: (The specifications can be changed as customers' requirement)

Model	Voltage		At No Load		At Max Efficiency				Stall	
		Workable Range	RPM	Speed A	Current RRPM	Speed A	Current G.CM	Torque W	Output %	Torque G.CM
TW-775SPF-259	6.0~30.0V	30.0V Constant	5600	0.28	4542	1.90	867	40.8	71.6	4640
TW-775SPF-276	6.0~30.0V	24.0V Constant	7600	0.37	5811	2.22	750	44.7	83.9	3186
TW-775SPF-384	6.0~12.0V	12.0V Constant	5100	0.56	4200	2.24	500	21.6	80.1	2850
TW-775SPF-751	6.0~15.0V	12.0V Constant	18700	2.20	16000	13.60	710	116.5	71.4	5100
TW-775SPF-851	6.0~12.0V	12.0V Constant	20400	3.80	16800	21.00	1000	172.3	68.4	6700
TW-775SPF-909	6.0~12.0V	12.0V Constant	22600	4.50	18900	23.00	1000	193.8	70.2	6750

CHARACTERISTIC CURVES:

