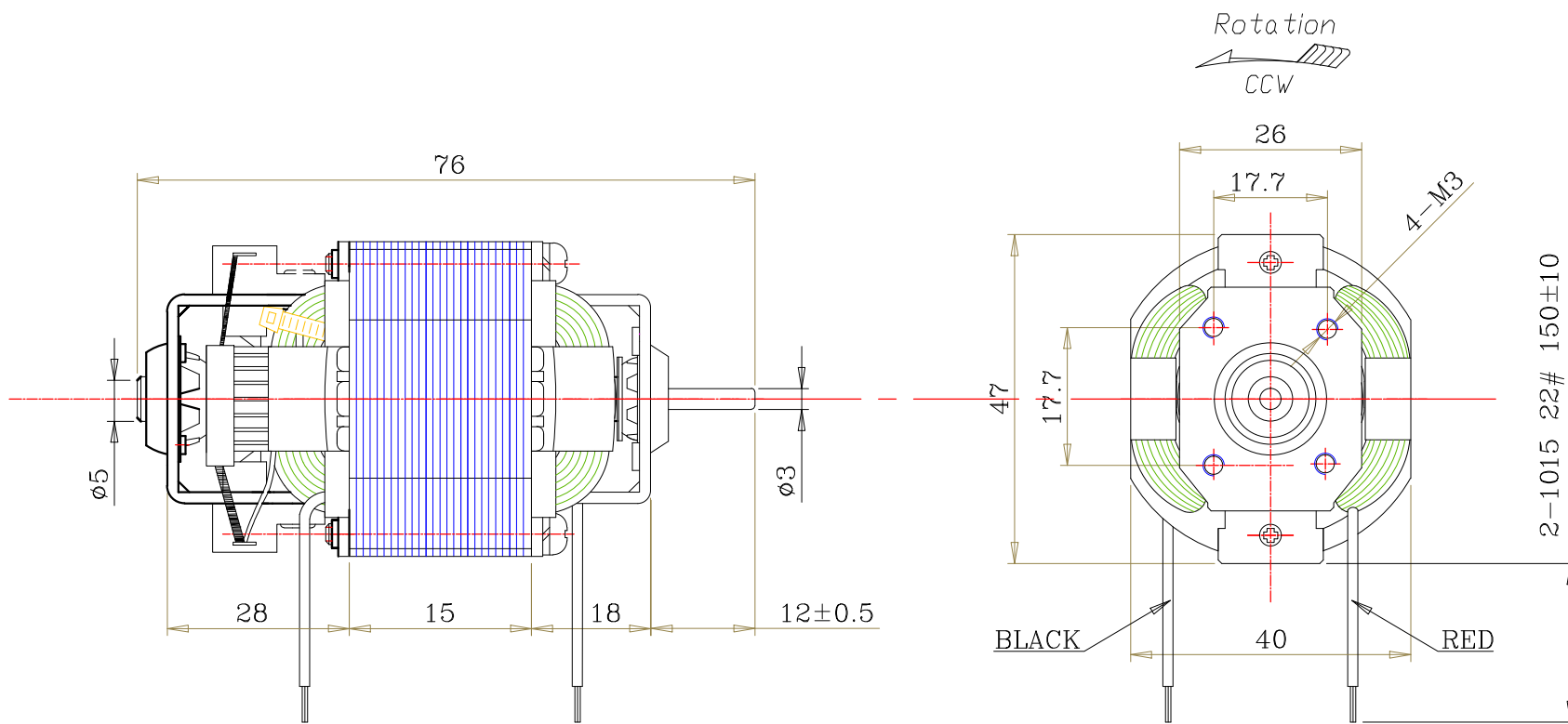


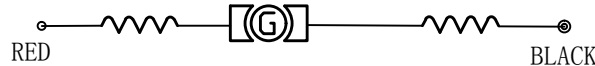
Rohs Compliance

REV	DESCRIPTION	DATE	BY



Notes:

1. Voltage with Frequency (电压和频率): 220V/60Hz
2. Rotation (转向): CCW
3. No-load Performance (空载性能)
 No-load Speed (空载转速): 20000±15%RPM;
 No-load Current (空载电流): 0.25A (MAX)
 No-load Power (空载功率): 55W (MAX)
4. On load Performance (负载性能)
 On load Speed (负载转速): 11000±10%RPM (With Fan)
 On load Current (负载电流): 0.48A±20%
 On load Input Power (负载功率): 100W±20%
5. Temperature Rise (温升): 115°
6. Insulation Grade (绝缘等级): Class F
7. Life (寿命): 800H



Label content:

OD-4615M22
 220V/60Hz
 MADE IN CHINA

GENERAL TOLERANCES ISO 2768-m	
Permissible deviations for linear dimensions	
Permissible deviations for basic size range	
>0.5 ...3	>3 ...6
>6 ...30	>30 ...120
>120 ...400	>400 ...1000
>1000 ...2000	>2000 ...4000
m	±0.1
n	±0.1
h	±0.2
k	±0.3
M	±0.5
L	±0.8
P	±1.2
R	±2
S	±0.5
T	±0.3
V	±0.2
W	±0.1
X	±0.1
Y	±0.1
Z	±0.1
aa	±0.1
ab	±0.1
ac	±0.1
ad	±0.1
ae	±0.1
af	±0.1
ag	±0.1
ah	±0.1
ai	±0.1
aj	±0.1
ak	±0.1
al	±0.1
am	±0.1
an	±0.1
ao	±0.1
ap	±0.1
aq	±0.1
ar	±0.1
as	±0.1
at	±0.1
au	±0.1
av	±0.1
aw	±0.1
ax	±0.1
ay	±0.1
az	±0.1
ba	±0.1
bb	±0.1
bc	±0.1
bd	±0.1
be	±0.1
bf	±0.1
bg	±0.1
bh	±0.1
bi	±0.1
bj	±0.1
bk	±0.1
bl	±0.1
bm	±0.1
bn	±0.1
bo	±0.1
bp	±0.1
bq	±0.1
br	±0.1
bs	±0.1
bt	±0.1
bu	±0.1
bv	±0.1
bw	±0.1
bx	±0.1
by	±0.1
bz	±0.1
ca	±0.1
cb	±0.1
cc	±0.1
cd	±0.1
ce	±0.1
cf	±0.1
cg	±0.1
ch	±0.1
ci	±0.1
cj	±0.1
ck	±0.1
cl	±0.1
cm	±0.1
cn	±0.1
co	±0.1
cp	±0.1
cq	±0.1
cr	±0.1
cs	±0.1
ct	±0.1
cu	±0.1
cv	±0.1
cw	±0.1
cx	±0.1
cy	±0.1
cz	±0.1
da	±0.1
db	±0.1
dc	±0.1
dd	±0.1
de	±0.1
df	±0.1
dg	±0.1
dh	±0.1
di	±0.1
dj	±0.1
dk	±0.1
dl	±0.1
dm	±0.1
dn	±0.1
do	±0.1
dp	±0.1
dq	±0.1
dr	±0.1
ds	±0.1
dt	±0.1
du	±0.1
dv	±0.1
dw	±0.1
dx	±0.1
dy	±0.1
dz	±0.1
ea	±0.1
eb	±0.1
ec	±0.1
ed	±0.1
ee	±0.1
ef	±0.1
eg	±0.1
eh	±0.1
ei	±0.1
ej	±0.1
ek	±0.1
el	±0.1
em	±0.1
en	±0.1
eo	±0.1
ep	±0.1
eq	±0.1
er	±0.1
es	±0.1
et	±0.1
eu	±0.1
ev	±0.1
ew	±0.1
ex	±0.1
ey	±0.1
ez	±0.1
fa	±0.1
fb	±0.1
fc	±0.1
fd	±0.1
fe	±0.1
ff	±0.1
fg	±0.1
fh	±0.1
fi	±0.1
fj	±0.1
fk	±0.1
fl	±0.1
fm	±0.1
fn	±0.1
fo	±0.1
fp	±0.1
fq	±0.1
fr	±0.1
fs	±0.1
ft	±0.1
fu	±0.1
fv	±0.1
fw	±0.1
fx	±0.1
fy	±0.1
fz	±0.1
ga	±0.1
gb	±0.1
gc	±0.1
gd	±0.1
ge	±0.1
gf	±0.1
gg	±0.1
gh	±0.1
gi	±0.1
gj	±0.1
gk	±0.1
gl	±0.1
gm	±0.1
gn	±0.1
go	±0.1
gp	±0.1
gq	±0.1
gr	±0.1
gs	±0.1
gt	±0.1
gu	±0.1
gv	±0.1
gw	±0.1
gx	±0.1
gy	±0.1
gz	±0.1
ha	±0.1
hb	±0.1
hc	±0.1
hd	±0.1
he	±0.1
hf	±0.1
hg	±0.1
hh	±0.1
hi	±0.1
hj	±0.1
hk	±0.1
hl	±0.1
hm	±0.1
hn	±0.1
ho	±0.1
hp	±0.1
hq	±0.1
hr	±0.1
hs	±0.1
ht	±0.1
hu	±0.1
hv	±0.1
hw	±0.1
hx	±0.1
hy	±0.1
hz	±0.1
ia	±0.1
ib	±0.1
ic	±0.1
id	±0.1
ie	±0.1
if	±0.1
ig	±0.1
ih	±0.1
ii	±0.1
ij	±0.1
ik	±0.1
il	±0.1
im	±0.1
in	±0.1
io	±0.1
ip	±0.1
iq	±0.1
ir	±0.1
is	±0.1
it	±0.1
iu	±0.1
iv	±0.1
iw	±0.1
ix	±0.1
iy	±0.1
iz	±0.1
ja	±0.1
jb	±0.1
jc	±0.1
jd	±0.1
je	±0.1
jf	±0.1
jj	±0.1
kg	±0.1
kh	±0.1
ki	±0.1
kj	±0.1
kk	±0.1
kl	±0.1
km	±0.1
kn	±0.1
ko	±0.1
kp	±0.1
kq	±0.1
kr	±0.1
ks	±0.1
kt	±0.1
ku	±0.1
kv	±0.1
kw	±0.1
kx	±0.1
ky	±0.1
kz	±0.1
la	±0.1
lb	±0.1
lc	±0.1
ld	±0.1
le	±0.1
lf	±0.1
lg	±0.1
lh	±0.1
li	±0.1
lj	±0.1
lk	±0.1
ll	±0.1
lm	±0.1
ln	±0.1
lo	±0.1
lp	±0.1
lq	±0.1
lr	±0.1
ls	±0.1
lt	±0.1
lu	±0.1
lv	±0.1
lw	±0.1
lx	±0.1
ly	±0.1
lz	±0.1
ma	±0.1
mb	±0.1
mc	±0.1
md	±0.1
me	±0.1
mf	±0.1
mg	±0.1
mh	±0.1
mi	±0.1
mj	±0.1
mk	±0.1
ml	±0.1
mm	±0.1
mn	±0.1
mo	±0.1
mp	±0.1
mq	±0.1
mr	±0.1
ms	±0.1
mt	±0.1
mu	±0.1
mv	±0.1
mw	±0.1
mx	±0.1
my	±0.1
mz	±0.1
na	±0.1
nb	±0.1
nc	±0.1
nd	±0.1
ne	±0.1
nf	±0.1
ng	±0.1
nh	±0.1
ni	±0.1
nj	±0.1
nk	±0.1
nl	±0.1
nm	±0.1
nn	±0.1
no	±0.1
np	±0.1
nq	±0.1
nr	±0.1
ns	±0.1
nt	±0.1
nu	±0.1
nv	±0.1
nw	±0.1
nx	±0.1
ny	±0.1
nz	±0.1
oa	±0.1
ob	±0.1
oc	±0.1
od	±0.1
oe	±0.1
of	±0.1
og	±0.1
oh	±0.1
oi	±0.1
oj	±0.1
ok	±0.1
ol	±0.1
om	±0.1
on	±0.1
oo	±0.1
op	±0.1
oq	±0.1
or	±0.1
os	±0.1
ot	±0.1
ou	±0.1
ov	±0.1
ow	±0.1
ox	±0.1
oy	±0.1
oz	±0.1
pa	±0.1
pb	±0.1
pc	±0.1
pd	±0.1
pe	±0.1
pf	±0.1
pg	±0.1
ph	±0.1
pi	±0.1
pj	±0.1
pk	±0.1
pl	±0.1
pm	±0.1
pn	±0.1
po	±0.1
pp	±0.1
pq	±0.1
pr	±0.1
ps	±0.1
pt	±0.1
pu	±0.1
pv	±0.1
pw	±0.1
px	±0.1
py	±0.1
pz	±0.1
qa	±0.1
qb	±0.1
qc	±0.1
qd	±0.1
qe	±0.1
qf	±0.1
qg	±0.1
qh	±0.1
qi	±0.1
qj	±0.1
qk	±0.1
ql	±0.1
qm	±0.1
qn	±0.1
qo	±0.1
qp	±0.1
qq	±0.1
qr	±0.1
qs	±0.1
qt	±0.1
qu	±0.1
qv	±0.1
qw	±0.1
qx	±0.1
qy	±0.1
qz	±0.1
ra	±0.1
rb	±0.1
rc	±0.1
rd	±0.1
re	±0.1
rf	±0.1
rg	±0.1
rh	±0.1
ri	±0.1
rj	±0.1
rk	±0.1
rl	±0.1
rm	±0.1
rn	±0.1
ro	±0.1
rp	±0.1
rq	±0.1
rr	±0.1
rs	±0.1
rt	±0.1
ru	±0.1
rv	±0.1
rw	±0.1
rx	±0.1
ry	±0.1
rz	±0.1
sa	±0.1
sb	±0.1
sc	±0.1
sd	±0.1
se	±0.1
sf	±0.1
sg	±0.1
sh	±0.1
si	±0.1
sj	±0.1